

PRODUCT SPECIFICATIONS

SOURCE

180W RGBAM (Red/Green/Blue/Amber/Mint) LED Engine
50,000 Hour Average LED Life*

*LED Life may vary depending on several factors including but not limited to: Environmental Conditions, Power/Voltage, Usage Patterns (On-Off Cycling), Control and Dimming.

PHOTOMETRIC DATA

>94CRI 4,100 Total Lumens*

(*with 26° lens)

EFFECTS

Electronic Strobe and Dimming
Variable Dimming Curve Modes

GOBOS

Supports "B" Size Metal, HT Transparency Gobos*
*Gobos and Holder not included.

CONTROL / CONNECTIONS

(5) DMX Channel Modes (5 / 6 / 8 / 13 / 19)
Adjustable Refresh Rate (900-1500, 25,000 Hz)
Adjustable Gamma Brightness (2.0, 2.2, 2.4, 2.8)
4 Button Control Panel / LED Menu Display
5pin DMX In/Out / powerCON In/Out

SIZE / WEIGHT

Length: 24.3" (618mm) / 26.5" (674mm) Fully Extended
Width: 12.2" (310mm)
Vertical Height: 15.7" (398mm)
Weight: 21.0 lbs. (9.5 kg)

ELECTRICAL / THERMAL

Quiet Fan Cooling
AC 100-240V - 50/60Hz
225W Max Power Consumption
14° to 113°F (-10° to 45°C)

APPROVALS / RATINGS

CE | cETLus | IP20



INSTALLATION

Rigging: Integrated Yoke
Working Position: Any (360°)

INCLUDED ITEMS

- (1) powerCON Cable
- (1) 5PIN DMX Cable
- (1) Safety Cable

LENS Options (sold separately)

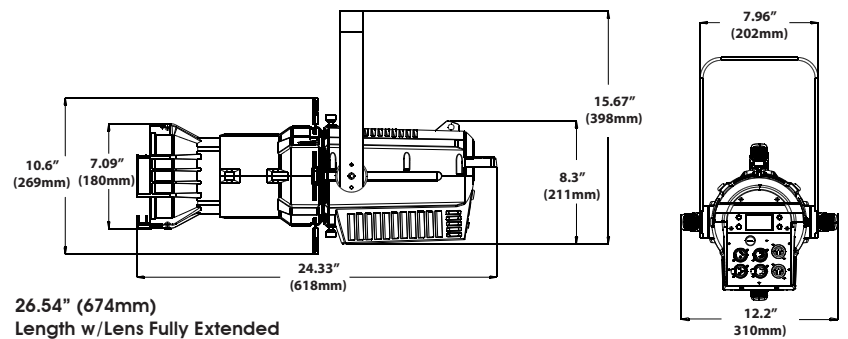
19°, 26°, 36°, 50°



PHOTOMETRIC DATA

		19° LENS		26° LENS		36° LENS		50° LENS				
		m	ft	m	ft	m	ft	m	ft			
Diameter	2.5	8.2	5	16.4	7.5	24.6	10	32.8	15	49.2	20	65.6
	0.8	2.6	1.6	5.2	2.4	7.9	3.2	10.5	4.8	15.7	6.4	21.0
RED	lux	fc	lux	fc	lux	fc	lux	fc	lux	fc	lux	fc
	550	51	132	12	60	6	32	3	16	1	9	1
GREEN	1,420	132	335	31	148	14	82	8	41	4	24	2
	420	39	99	9	46	4	26	2	12	1	7	1
BLUE	418	39	98	9	43	4	24	2	12	1	7	1
	8,028	746	1,900	177	830	77	470	44	220	20	135	13
MINT	10,270	954	2,450	228	1,110	103	620	58	301	28	180	17

DIMENSIONAL DIAGRAM



OPTIONAL ACCESSORIES

ORDER CODE	ITEM
TRIGGER CLAMP	Heavy Duty Wrap Around Hook Style Clamp
PHD019	Profile High Definition Lens 19°
PHD126	Profile High Definition Lens 26°
PHD236	Profile High Definition Lens 36°
PHD350	Profile High Definition Lens 50°
PLC3	3 ft. (1m) powerCON PRO Link Cable
AC5PDMX5PRO	5 ft. (1.5m) 5pin PRO DMX Cable
	Additional Cable Lengths Available

