

SPECIFICATIONS

SOURCE

(3) 60W Osram™ RGBW LEDs
50,000 Hour Average LED Life*

*LED Life may vary depending on several factors including but not limited to:
Environmental Conditions, Power/Voltage, Usage Patterns (On-Off Cycling), Control and Dimming.

PHOTOMETRIC DATA

23,497 LUX 2,183 FC @6.6' (2m) (Min Zoom) Full ON
984 LUX 91 FC @6.6' (2m) (Max Zoom) Full ON

EFFECTS

4° - 60° Beam Angle Zoom
Linear Color Temperature Presets (2,700 - 8,000K)
RGBW Color Mixing and Pixel Control
8 Color Presets and 8 Chase Macros
Electronic Strobe and Variable Dimming Curves

COLOR

RGBW

CONTROL / CONNECTIONS

(3) DMX Channel Modes (20 / 26 / 32)
360° Continuous Pan and Tilt Movement
Adjustable Refresh Rate (900-25,000 Hz)
Adjustable Gamma Brightness (2.0, 2.2, 2.4, 2.8)
(6) Button Touch Control Panel
8 / 16 Bit Resolution Adjustable Movement
Full Color 180° Reversible LCD Menu Display
5pin XLR DMX In/Out
RDM (Remote Device Management)
RJ45 etherCON In/Out (Art-NET, sACN)
powerCON TRUE1 Power In/Out

SIZE / WEIGHT

Length: 11.0" (280.6mm)
Width: 7.9" (199.5mm)
Vertical Height: 16.6" (422.1mm)
Weight: 17.0 lbs. (7.7 kg)

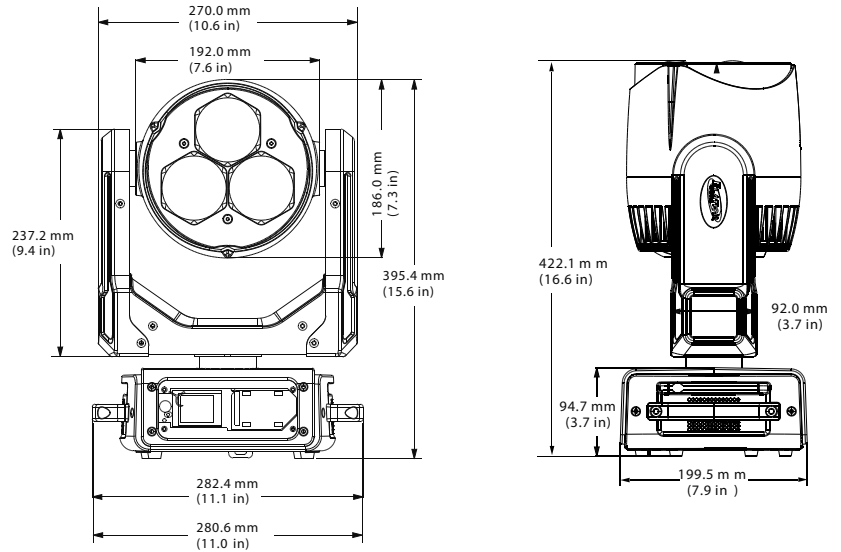
ELECTRICAL / THERMAL

AC 100-240V - 50/60Hz
300W Max Power Consumption
5F to 113°F (-15°C to 45°C)

APPROVALS / RATINGS



DIMENSIONAL DRAWINGS



ORDERING INFORMATION

PRODUCT ORDER CODE	
RAY552	RAYZOR 360Z
OPTIONAL ACCESSORIES ORDER CODES	
DRCZ360Z	4-Pack Road Case for RAYZOR 360Z
TRIGGER CLAMP	Heavy Duty Wrap Around Hook Style Clamp
AC5PDMX5PRO	5 ft. (1.5m) 5pin PRO DMX Cable
CAT005	5' (1.5m) CAT6 etherCON Cable
NEU088	3' (1m) PowerCON TRUE1 PRO Link Cable
	Additional cable lengths available

Specifications are subject to change without notice ©Elation Professional 02/04/19

