

PRODUCT SPECIFICATIONS

SOURCE

Philips MSD Platinum 200 Flex 280W Lamp
Up To 6,000 Hours Lamp Life*

*May vary depending on several factors including but not limited to: Environmental Conditions, Power/Voltage, Usage Patterns (On-Off Cycling), Control, Dimming, and Lamp Mode.

PHOTOMETRIC DATA

11,000 Total Lumen Output
128,426 LUX 11,931 FC @49.2' (15m) (Min Zoom Beam)
135,108 LUX 12,552 FC @16.4' (5m) (Min Zoom Spot)
138,576 LUX 12,874 FC @16.4' (5m) (Min Zoom Wash)

EFFECTS

Beam, Spot, and Wash Modes
Motorized Zoom: 1° to 18° Beam and 3° to 27° Spot
Full Frost Filter for Wash Effects
16-Facet and 4-Facet Linear Rotating Prisms
CMY Color, Gobo, and Prism Macros
Motorized Focus with Auto-Focus Feature
High Speed Shutter and Strobe

COLOR

Full CMY Color Mixing System
13 Colors including Quad Color, CTB, CTO, and UV

GOBOS

2 Gobo Wheels
8 Interchangeable-Rotating / Indexing Glass Gobos
12 Static-Stamped Metal Gobos

CONTROL / CONNECTIONS

2 DMX Channel Modes (20 / 34 channels)
Full Color 180° Reversible LCD Menu Display
6 Button Menu Control Panel
16 Bit Resolution Adjustable Movement
DMX, RDM, Art-NET, and sACN Protocol Support
Elation E-FLY Internal Wireless DMX Transceiver
5pin DMX and RJ45 etherCON In/Out
Neutrik TRUE1 Power In/Out

SIZE / WEIGHT

Length: 15.2" (385mm)
Width: 15.9" (405mm)
Vertical Height: 24.0" (610mm)
Weight: 49.0 lbs. (22.2 kg)

ELECTRICAL / THERMAL

AC 100-240V - 50/60Hz
480W Max Power Consumption
14°F to 113°F (-10°C to 45°C)

APPROVALS / RATINGS



ORDERING INFORMATION

| | |
|--------------------------|---|
| ESH241 | SMARTY HYBRID |
| TRIGGER CLAMP | Heavy Duty Wrap Around Hook Style Clamp |
| DRCSMARTY | Dual Road Case For SMARTY HYBRID |
| EFL001 | E-FLY™ Wireless DMX Transceiver |
| AC5PDMX5PRO | 5 ft. (1.5m) 5pin PRO DMX Cable |
| NEU088 | 3 ft. (1m) Power Link Cable |
| CAT6PRO5 | 5 ft. (1.5m) CAT6 EtherCON Cable |
| ZB-MSD PLATINUM 200 FLEX | Philips MSD Platinum 200 Flex Lamp |

COLORS AND GOBOS

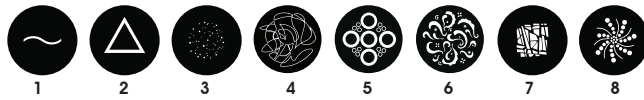
COLOR WHEEL



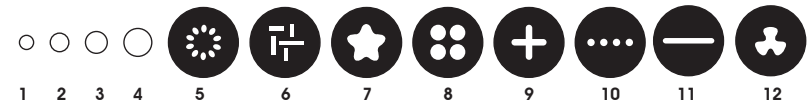
COLOR FLAGS



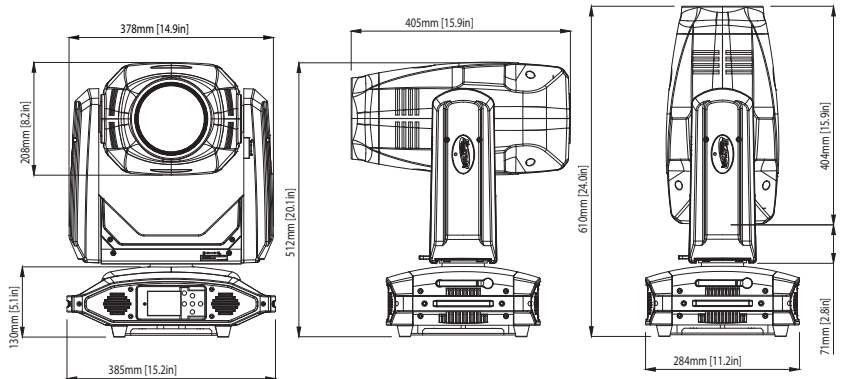
INTERCHANGEABLE-ROTATING GLASS GOBO WHEEL 1



STATIC-FIXED METAL GOBO WHEEL 2



DIMENSIONAL DIAGRAMS



Specifications are subject to change without notice ©Elation Professional 03/12/19

