

The PJ-64 is a projection speaker designed for ceiling and wall installations. Considered in architectural design, it can blend in with lighting equipment. The supplied swivel bracket allows for flexible speaker angle adjustment. The PJ-64 is driven on high-impedance (100 V and 70 V) line. The input power (impedance) can be easily changed at the upper side of the speaker. The speaker is easy to repaint so as to meet a wide range of design needs.

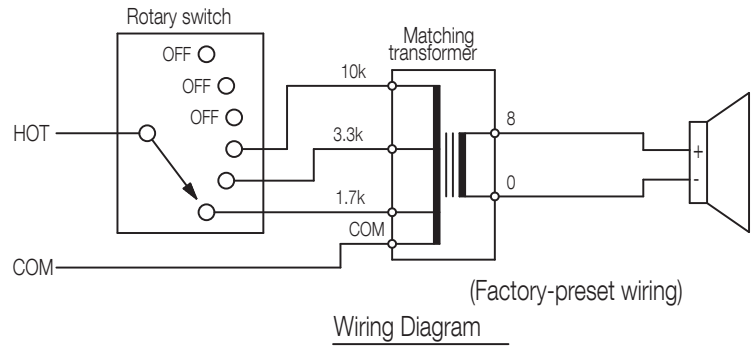
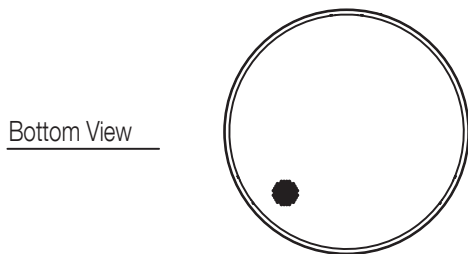
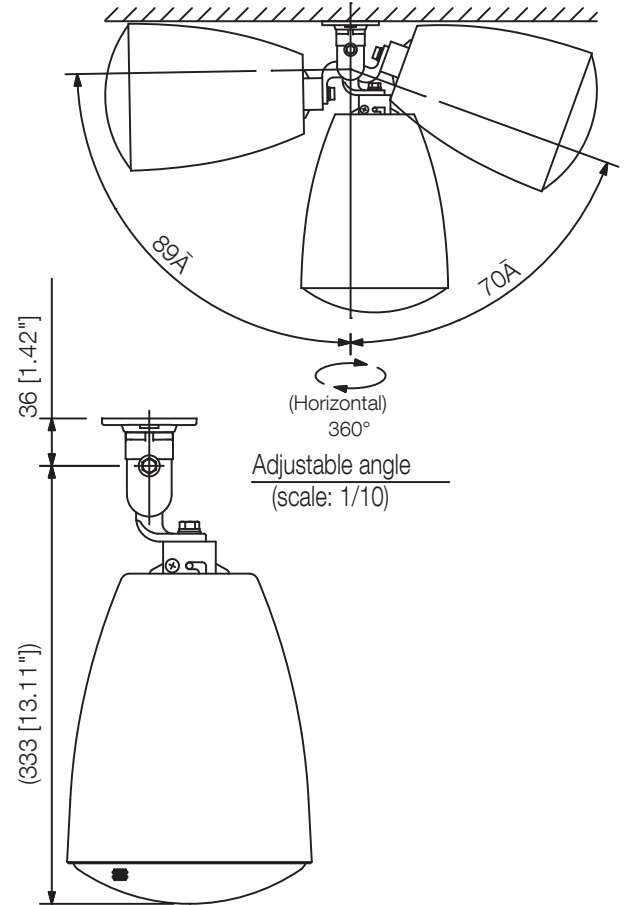
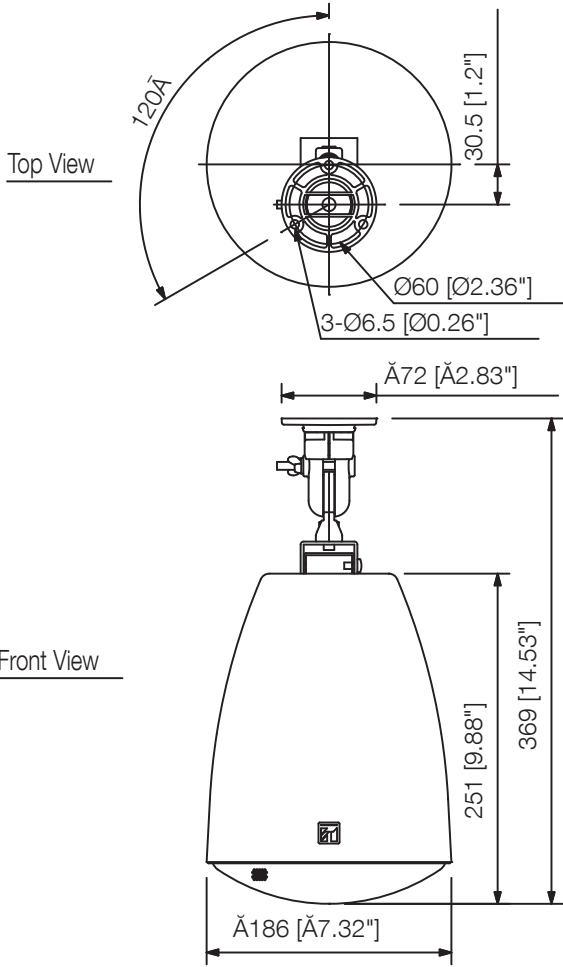


Order no: PJ-64

## Specifications

Frequency response	100 Hz - 18 kHz
Sensitivity (1#V, 1#n) (combined)	90 dB
Speaker component	12 cm cone-type
Rated input	6 W
Tappings	100V LINE: 1.7kΩ (6W), 3.3kΩ (3W), 10kΩ (1W) 70V LINE: 1.7kΩ (3W), 3.3kΩ (1.5W), 10 kΩ (0.5W)
Dimensions (W x H x D)	x 369
Dimensions (ø x D)	186
Finish	HIPS resin, off-white (RAL 9010 or equivalent)

### Appearance



UNIT:mm

SCALE:1/6