

SC-615BS

PAGING HORN SPEAKER

The SC-615BS is the voice alarm certification product. This speaker can be a clearer announcement for voice alarm. The SC-615BS Paging horn speaker features an aluminum horn flare and stainless steel bracket for all weather durability. The SC-615BS unique oval shape horn enhances excellent speech clarity.



Order no: SC-615BS

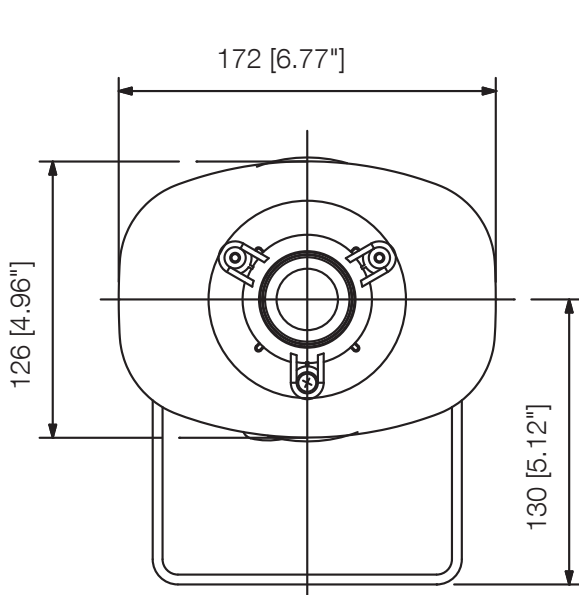
Specifications

Frequency response	315 Hz - 12.5 kHz
Sensitivity (1#V, 1#m) (combined)	109 dB
Rated input	15 W
Tappings	15 / 10 / 5 / 3 W (100 V), 15 / 7.5 / 5 / 2.5 / 1.5 W (70 V)
Rated impedance	100 V, 70 V
Dimensions (W x H x D)	172 x 195 x 229 mm
Dimensions (ø x D)	x 229 mm
Finish	Aluminium, powder coating, off-white (RAL 9010 or equivalent)
Operating temperature	-20 °C to +55 °C

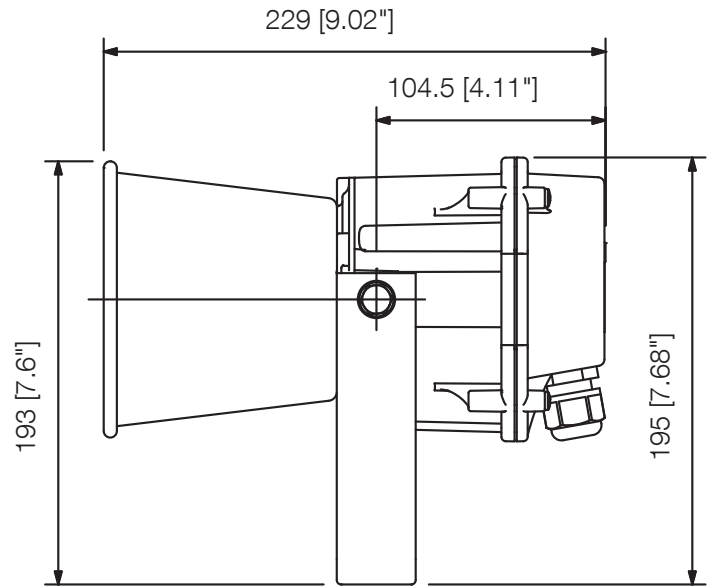
SC-615BS

PAGING HORN SPEAKER

Appearance



Front View



Side View