

SC-630M-EB-Q

PAGING HORN SPEAKER



Order no: SC-630M EB-Q
 Alternative products: VM-3240VA,
 VM-3360VA, VM-3240E, VM-3360E,
 VX-3004F, VX-3008F, VX-3016F, SX-2000SM,
 SX-2000AO, SX-2100AO, VP-3154, VP-3304,
 VP-3504, VP-2064, VP-2064incl, VP-2122,
 VP-2122incl, VP-2241, VP-2241incl, VP-2421,
 VP-2421incl

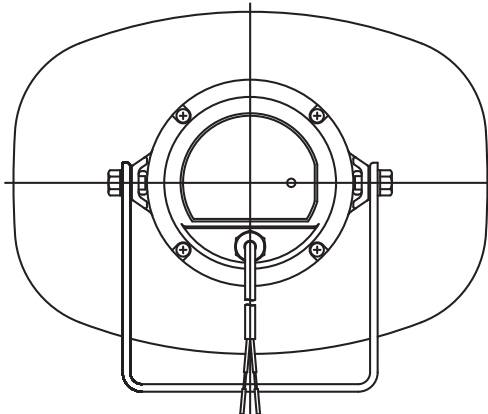
Specifications

Frequency response	250 Hz - 10 kHz
Sensitivity (1#V, 1#m) (combined)	113 dB
Rated input	30 W
Tappings	30 / 15 / 10 / 5 W (100 V), 30 / 15 / 7.5 / 5 / 2.5 W (70 V)
Rated impedance	100 V, 70 V
Dimensions (W x H x D)	285 x 227 x 277 mm
Dimensions (ø x D)	x 277 mm
Finish	Aluminium, powder coating, off-white (RAL 9010 or equivalent)

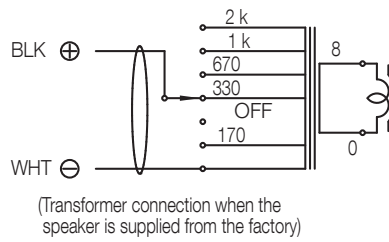
SC-630M-EB-Q

PAGING HORN SPEAKER

Appearance

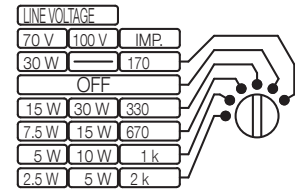


Rear View

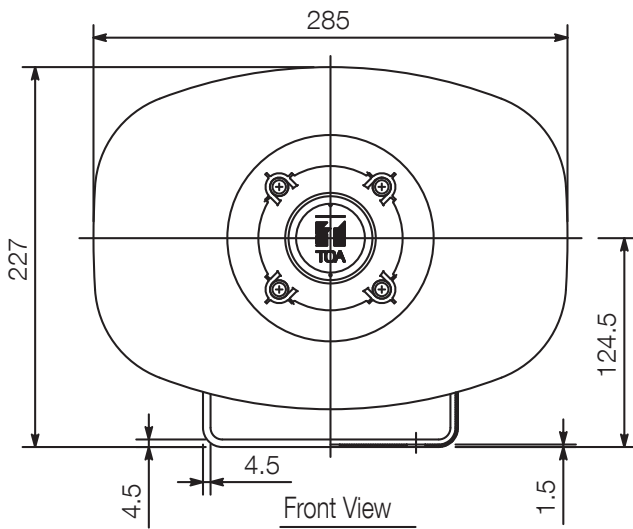


Wiring diagram

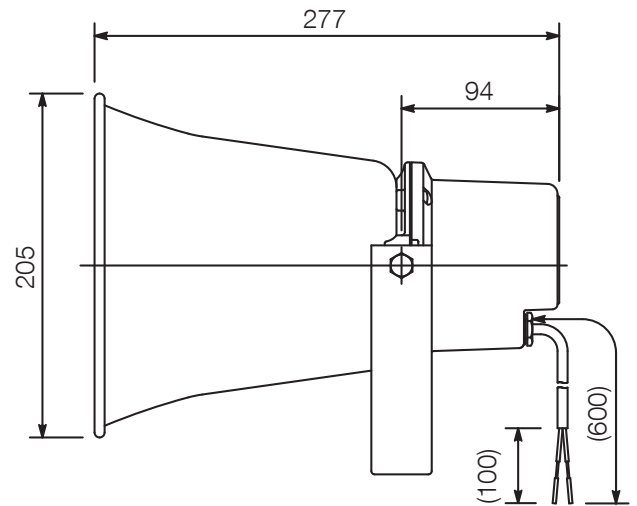
CAUTION
NEVER SET THE SWITCH TO " " POSITION
FOR 100 V LINE OPERATION, AS DOING SO MAY
RESULT IN DAMAGE TO THE SPEAKER.



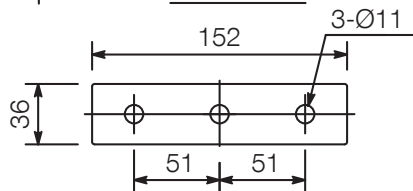
Impedance selection



Front View



Side View



Bracket dimensional diagram

UNIT:mm

SCALE:1/5

Note: Numerical values in parentheses are for reference only.